



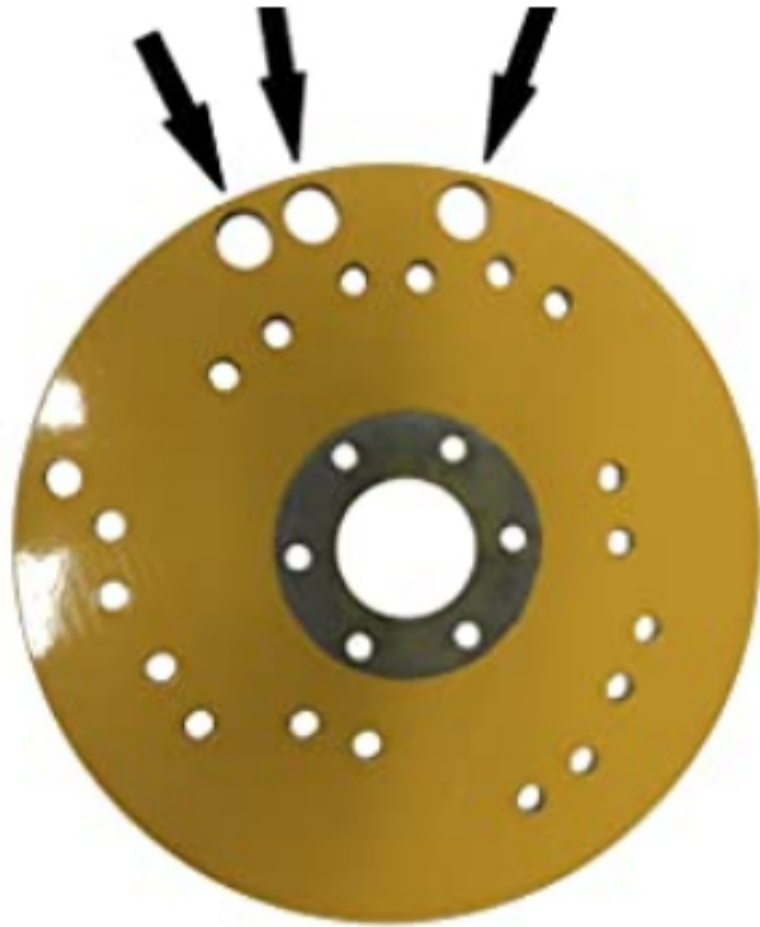
Boost your machine's performance with one of our Upgrade Kits!

Our Performance Upgrade Kits are a great solution for customers looking for a boost in performance without investing in a new wheel. The new wheel pattern provided with our Upgrade Kits uses fewer teeth than a standard setup for these machines, so it costs less!

Fewer teeth mean less drag!

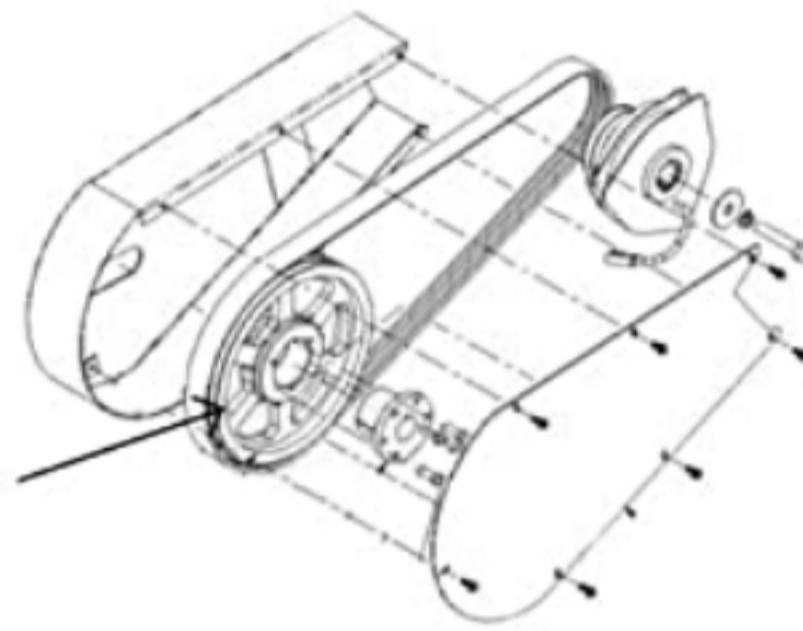
The separation between the teeth allows your machine to regain RPM before starting the next cut.

Which Rayco Upgrade do I need?



6 tooth or 12 tooth Upgrade?

As seen in the above image, some of the wheels have 1" counterbalancing holes on the outside edge of the wheel. If your machine does not have them select one of the 6 tooth upgrades. If it does select one of the 12 tooth upgrades.



Do I need the RPM Upgrade?

RPM is very important to the performance of the upgrade. Measure the driven sheave on the initial drive. The RPM upgrade is required if the sheave measures about 12". The cost of upgrade includes the cost of the belt & sheave. If they are not needed, it will be reflected in the cost. If you have a sheave that is neither 9" or 12" the machine may not be eligible for the upgrade. A two-band belt and sheave will be used to replace the 3 band if applicable.



Wheel thickness.

These machines came with either a 1" or 1/2" thick wheel. Make sure you pick the appropriate wheel thickness to ensure the proper bolt length.